



AIR CONDITIONER
Red Dot Model **R-6100**

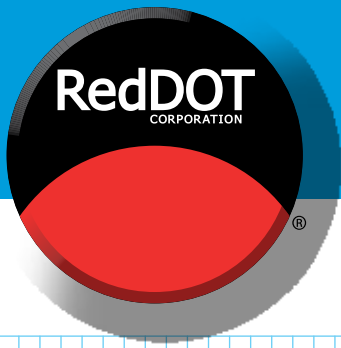
ROOFTOP

R-6100



For use on heavy, medium & light duty trucks,
construction and agricultural cabs

The R-6100 is the ultimate rooftop air conditioner design. Red Dot went the extra mile in designing a lightweight, high capacity unit with a styled low-profile that fits the aerodynamic truck designs of today. Notice the sloping front that rides comfortably over center marker lights. This is a must when roof space is minimal or air shields are used.



AIR CONDITIONER Red Dot Model **R-6100**

ROOFTOP

The heavy duty design contains tube and fin coil construction, high capacity receiver drier and Red Dot Trinary™ System protection switch. The Trinary switch extends condenser motor life and guards against component failure. Should the R-6100 ever need service, only two outside bolts need be removed to access any component. The R-6100 is perfect for most truck applications, especially C.O.E.'s where space in the cab is limited.

SPECIFICATIONS

BTU's Cooling -16,000 BTU/Hr with 36°F (4.7 kw with 2.2°C) refrigerant temp. and 80°F (26.7°C) wet bulb entering air

Air Flow 265 CFM (450 m3/h)

Weight 44 lbs. (20kg)

Current 33 amps @ 13.6 VDC (includes 4 amps for A/C clutch)

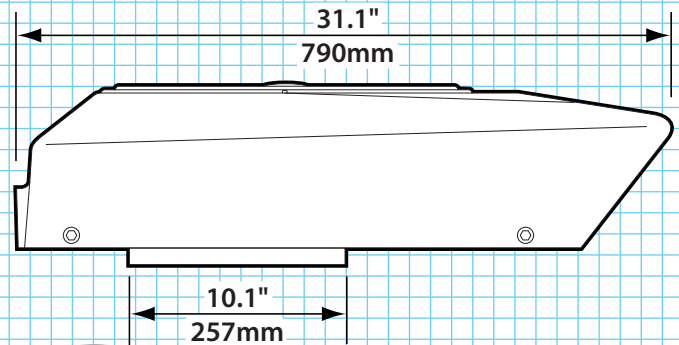
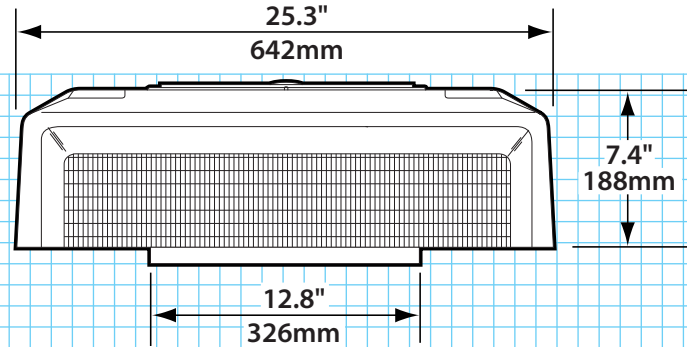
Draw 16.5 amps @ 27.2 VDC (includes 2 amps for A/C clutch)

Controls Three speed blower and adjustable thermostat

Condenser

Coil The coil is aluminum fin and copper tube construction. This material selection – which includes a tube of .022" (6 cm) wall thickness – results in an effective, lightweight, and rugged coil.

Motor/ Fan The motor is a permanent magnet type selected for its extended life. The motor is sealed and a slinger ring. A hub cap is added for weather protection. The fan is aluminum with a heavy duty spider and riveted blades.



A low profile plenum protrudes barely 1½" into the cab and blends easily into the headliner leaving ample head room. Frigid, high-velocity air can be directed 360° through the large diffusers located directly below the double blowers. Also featured is a cab air filter incorporated into the plenum.



- Options** (from top)
Universal Roof Mount Kit RD-2-1302-0P
Winter Cover RD-5-4718-0P
Bug Screen RD-4-4529-1P

1 square = 1"

