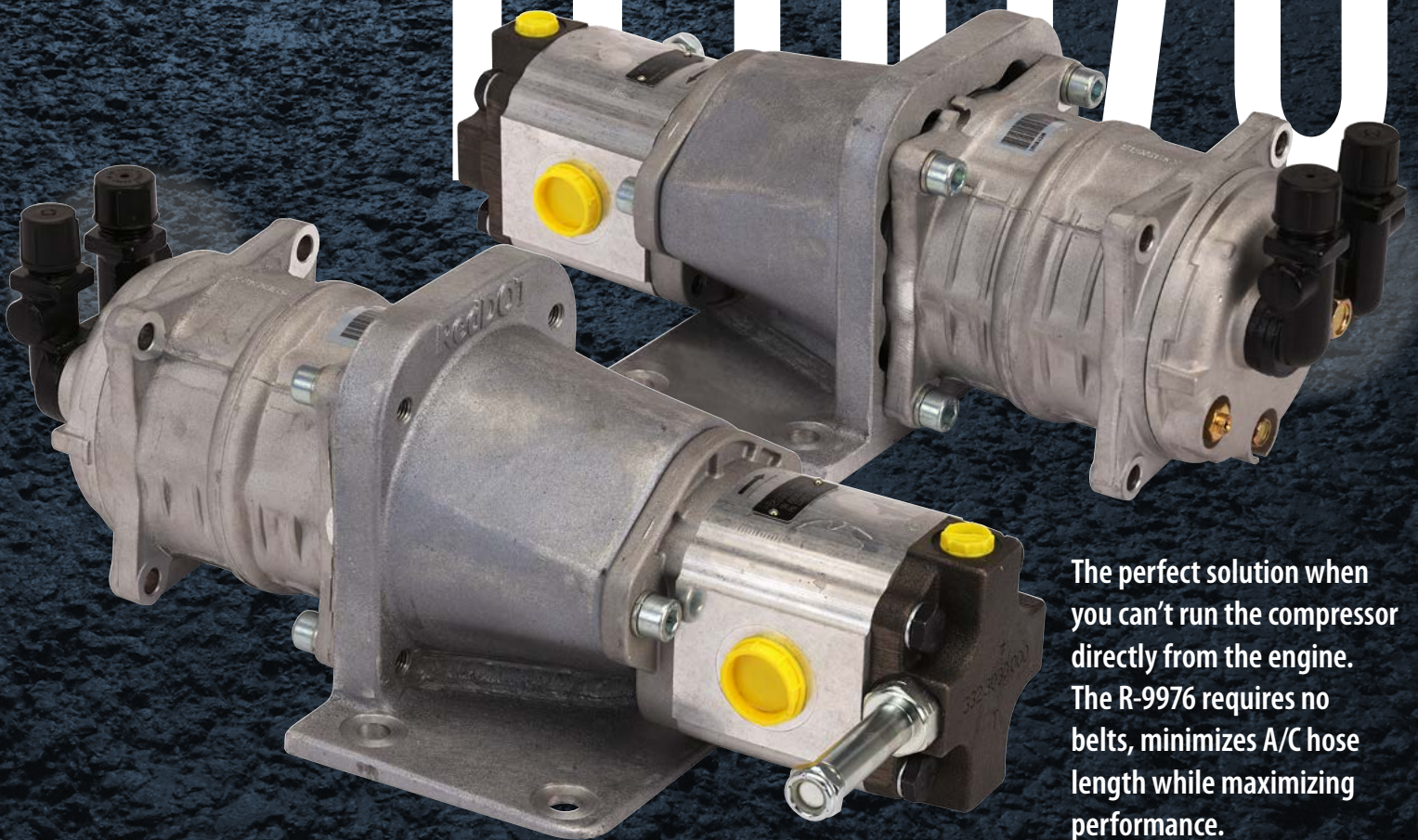




COMPRESSOR  
Red Dot Model **R-9976**

**HYDRAULIC**  
Axial Direct Drive

# R-9976



The perfect solution when you can't run the compressor directly from the engine. The R-9976 requires no belts, minimizes A/C hose length while maximizing performance.



## New for 2015, the updated R-9976 is now available in three different motor sizes:

**R-9976-5P** = 8cc/rev (same as current dash-3 assembly)

**R-9976-6P** = 14cc/rev

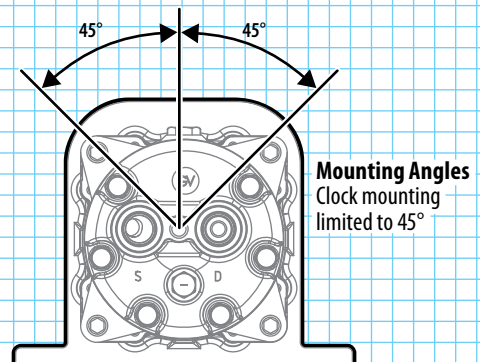
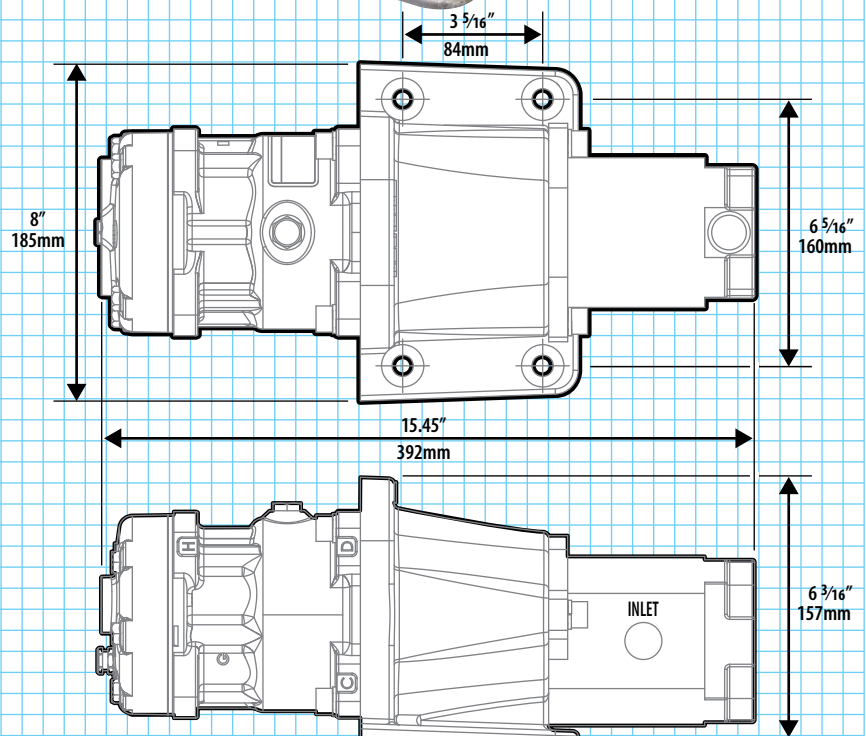
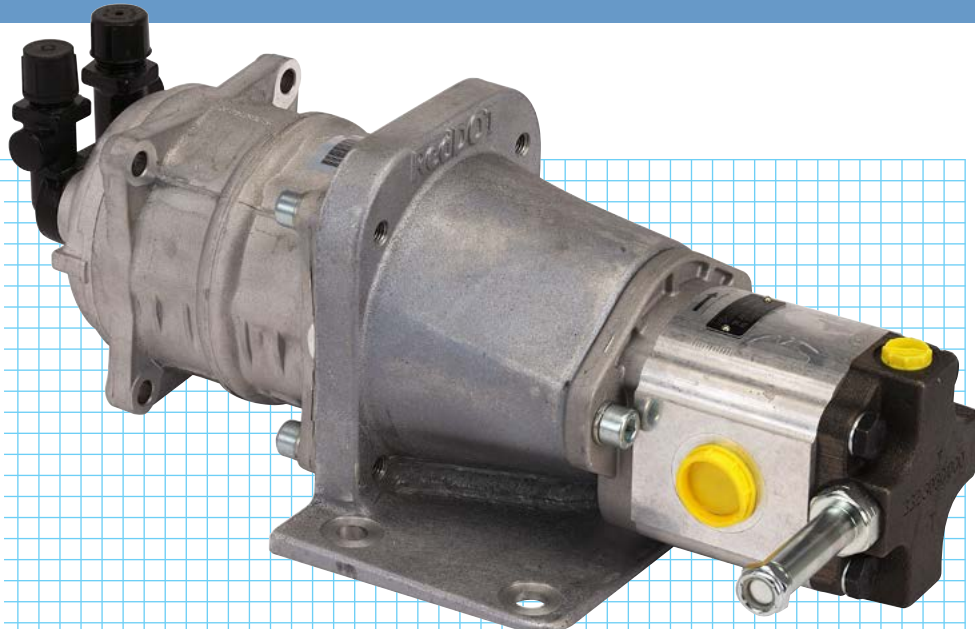
**R-9976-7P** = 23cc/rev

The new hydraulic motors have integrated on/off solenoid valve and bypass circuit offering greater hydraulic *flow* range flexibility and greater hydraulic *pressure* range flexibility.

Earlier versions used an external valve to control the flow of hydraulic fluid to the unit. Red Dot's new design has an on/off valve and bypass circuit built into the motor making it easier to connect only three hydraulic lines; earlier models required as many as seven lines. And the R-9976 requires no external control valves or bypass circuits.

With fewer components and hydraulic connections, the new design is simpler to install and eliminates several potential leak points

Although the overall unit has a slightly larger footprint, the mounting plate itself is the same as previous installations.



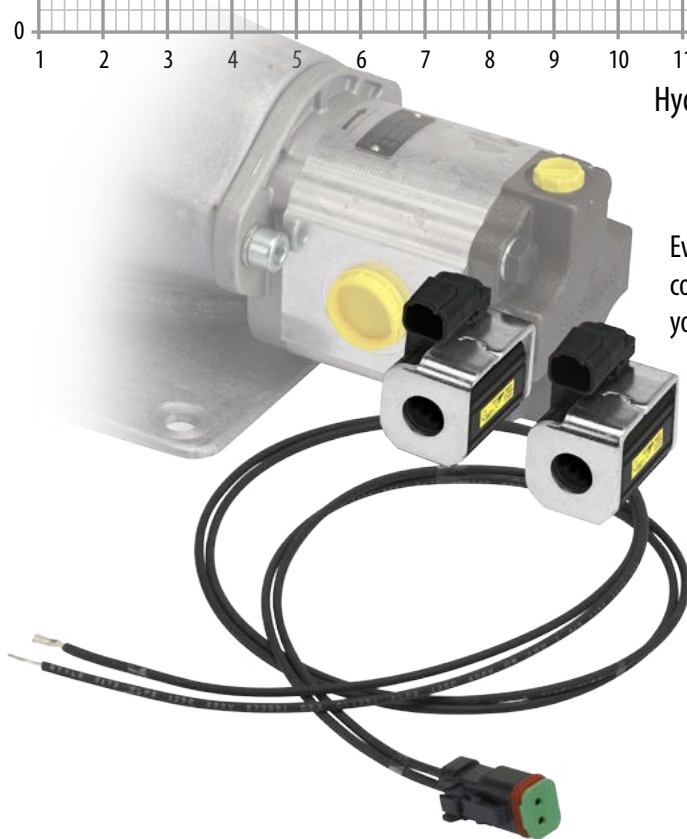
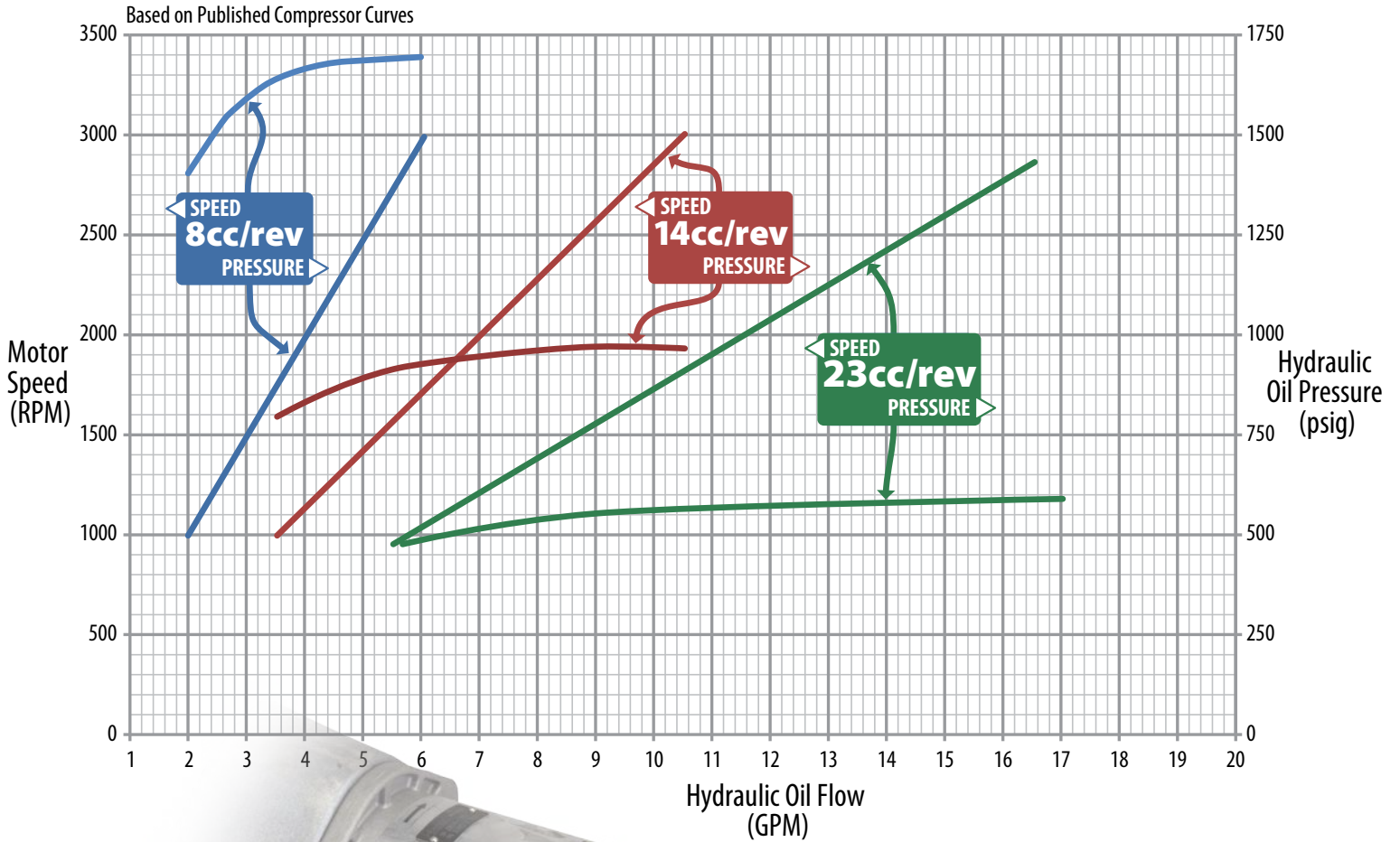
**WARNING:** Red Dot Corporation takes no responsibility for modifications to the vehicle's hydraulic systems. All hydraulic modifications must be done by a certified hydraulic technician.

1 square = 1/2"

## HYDRAULIC FLOW & PRESSURE CURVES

It is important to choose the correct assembly based on available hydraulic system pressure and flow rate.

Based on Published Compressor Curves



Every R-9976 ships with both 12 and 24 volt coils and the wiring harness to connect it to your vehicle's electronics.



**Distributed by P&C Mining Services**

E-mail: [sales@pcmining.co.za](mailto:sales@pcmining.co.za) Tel: +27 11 914-2166 / 0861 723 000  
Unit 4 Protea Business Park, No 30, All Black Road, Anderbolt  
Boksburg, Gauteng, South Africa

[www.pcmining.co.za](http://www.pcmining.co.za)

