

KK-550

12V BSP00003HVAC12 / 24V BSP00003HVAC24



Bergstrom

STANDARD PRODUCTS

HVAC



Performance

hot 9.8kW	+	cold 5.7kW	+	airflow 467 (m ³ /hr)
--------------	---	---------------	---	-------------------------------------

Electrical Data

volts 12V	amps 12A	/	volts 24V	amps 7A
--------------	-------------	---	--------------	------------

Applications



Performance Input Data

Cold	temp 32°C	humidity 70%
	Hot	temp 11°C

Vertical Evaporator Unit

Front and Controls



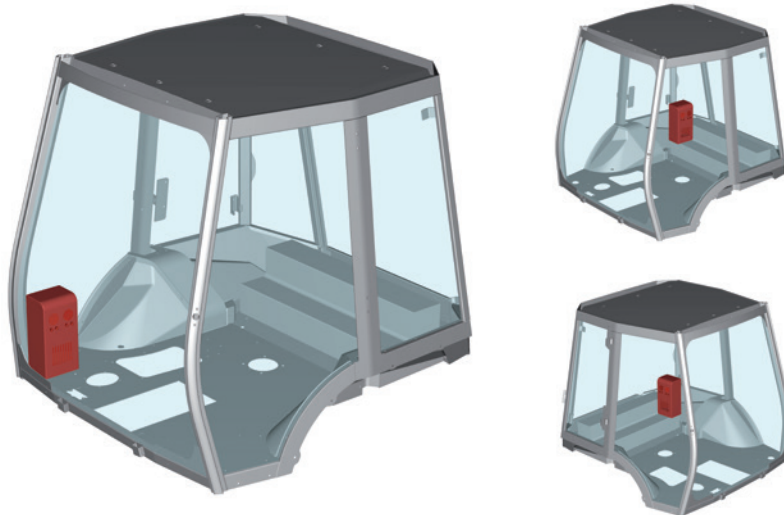
Switch heater Switch A/C



Switch recirculation Switch Fan

Position

Corner mount



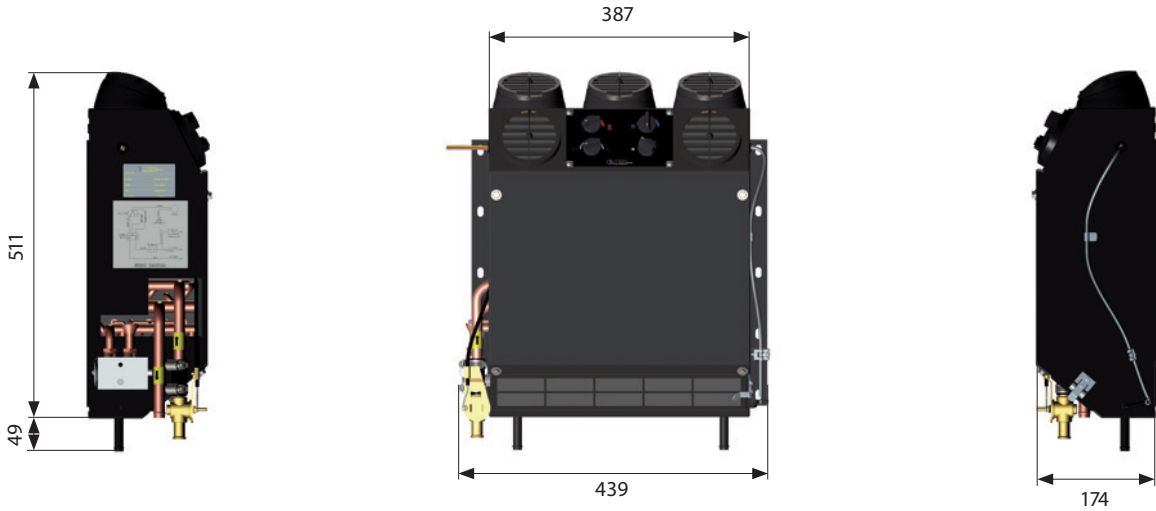


Bergstrom
STANDARD PRODUCTS

KK-550

12V BSP00003HVAC12/24V BSP00003HVAC24

HVAC



Weight



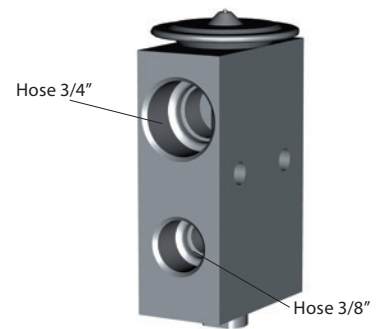
Water hoses



Water hoses d. 15.88 mm



- 1 - Red wire (live)
- 2 - Yellow wire (clutch)
- 3 - Black wire (ground)



Expansion valve 2.0 TON

To ensure you have a complete kit to enable you chosen system to operate please check the system schematic data sheet which details the full list of components required.

Distributed by P&C Mining Services

E-mail: sales@pcmining.co.za Tel: +27 11 914-2166 / 0861 723 000
Unit 4 Protea Business Park, No 30, All Black Road, Anderbolt
Boksburg, Gauteng, South Africa
www.pcmining.co.za

