

RAVENA

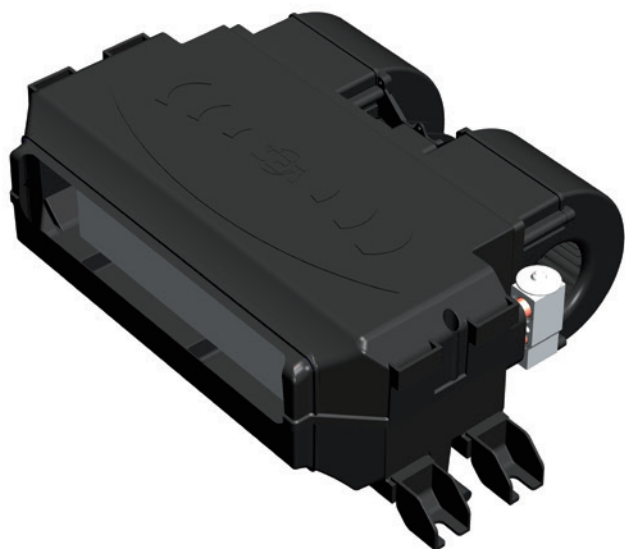
12V BSP00004HVAC12 / 24V BSP00004HVAC24



Bergstrom

STANDARD PRODUCTS

HVAC



Performance

hot 7.0kW	+	cold 8.7kW	+	airflow 800 (m ³ /hr)
--------------	---	---------------	---	-------------------------------------

Electrical Data

volts 12V	amps 18A	/	volts 24V	amps 10A
--------------	-------------	---	--------------	-------------

Applications

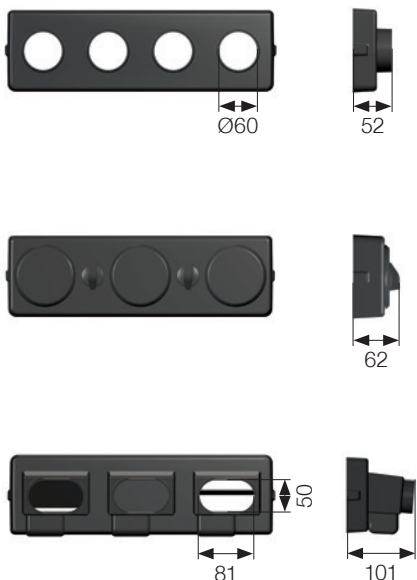


Performance Input Data

Cold	temp 32°C	humidity 50%
	Hot	temp -10°C

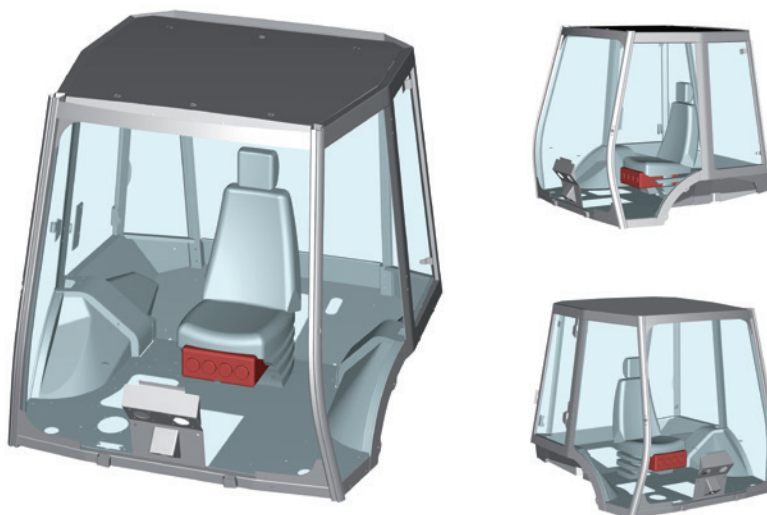
Evaporator Unit

Variants



Position

Under seat mount



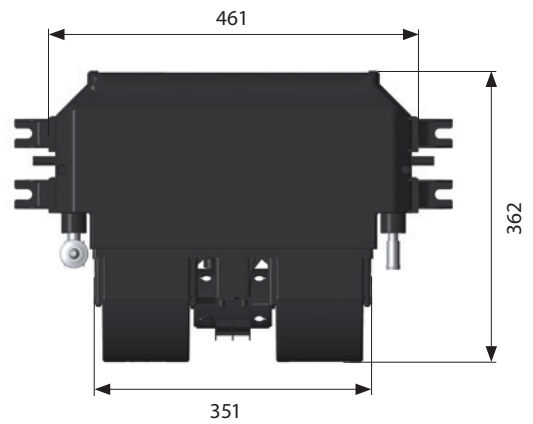
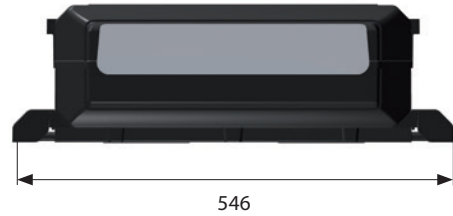
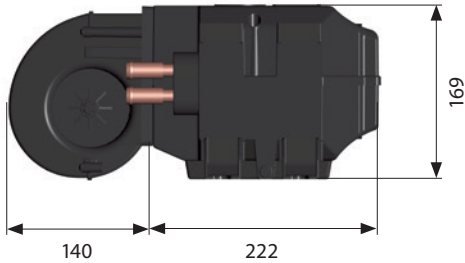


Bergstrom
STANDARD PRODUCTS

RAVENA

12V BSP00004HVAC12/24V BSP00004HVAC24

HVAC



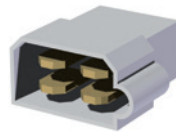
Weight



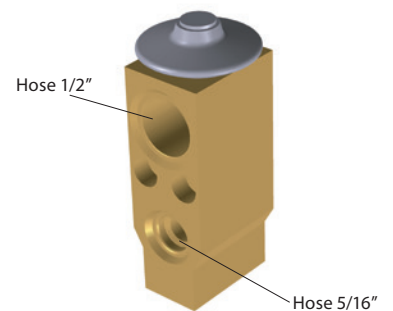
Water hoses



Water hoses d. 16 mm



- 1 - Yellow wire (speed 1)
- 2 - Red wire (speed 2)
- 3 - Orange wire (speed 3)
- 4 - Black wire (power supply)



Expansion valve 1.5 TON
(7500 Kcal/h)

To ensure you have a complete kit to enable you chosen system to operate please check the system schematic data sheet which details the full list of components required.

Distributed by P&C Mining Services

E-mail: sales@pcmining.co.za Tel: +27 11 914-2166 / 0861 723 000
Unit 4 Protea Business Park, No 30, All Black Road, Anderbolt
Boksburg, Gauteng, South Africa
www.pcmining.co.za

