

VERTICAL GRANDE

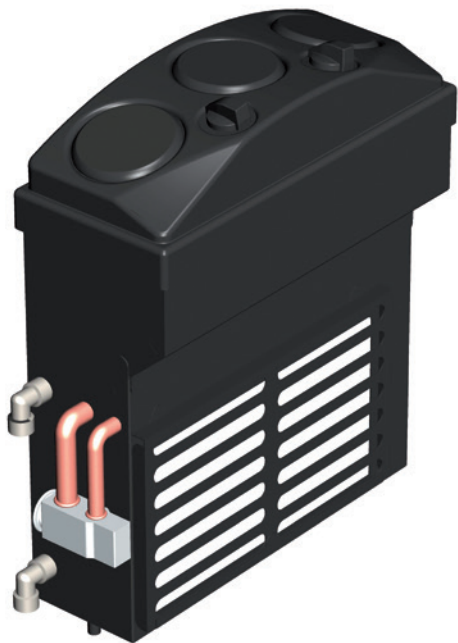
12V BSP00007HVAC12 / 24V BSP00007HVAC24



Bergstrom

STANDARD PRODUCTS

HVAC



Performance

| | | | | |
|--------------|---|---------------|---|-------------------------------------|
| hot 5.6kW | + | cold 8.3kW | + | airflow 780 (m ³ /hr) |
|--------------|---|---------------|---|-------------------------------------|

Electrical Data

| | | | | |
|--------------|---------------|---|--------------|--------------|
| volts 12V | amps 15.2A | / | volts 24V | amps 8.5A |
|--------------|---------------|---|--------------|--------------|

Applications

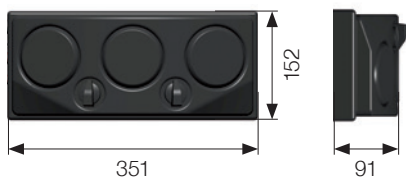


Performance Input Data

| | | |
|------|---------------------|------------------------|
| Cold | temp 32°C | humidity 50% |
| | Hot | temp -10°C |

Vertical Evaporator Unit

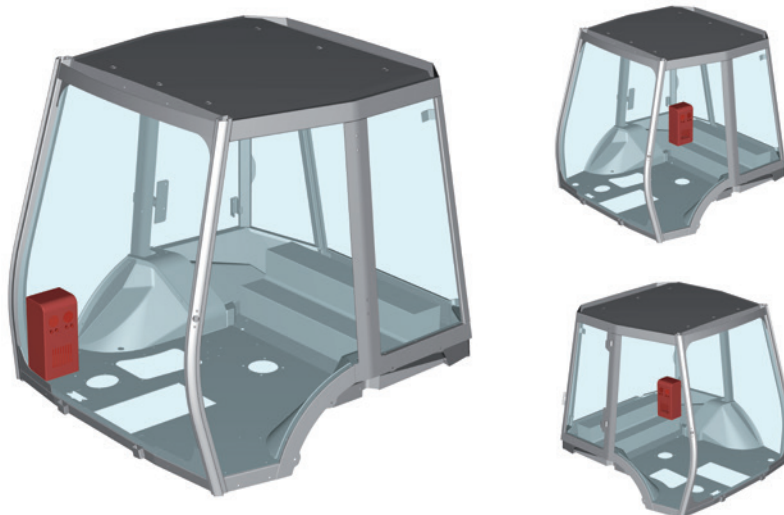
Front and Controls



Panel with controls and 3 air louvers

Position

Corner mount

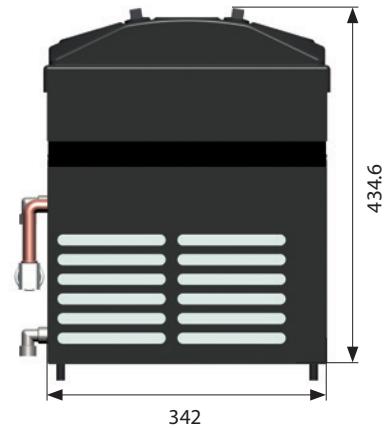




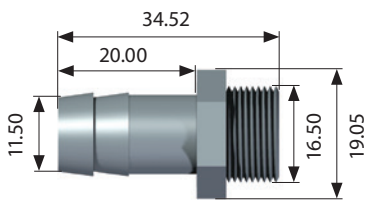
Bergstrom
STANDARD PRODUCTS

VERTICAL GRANDE

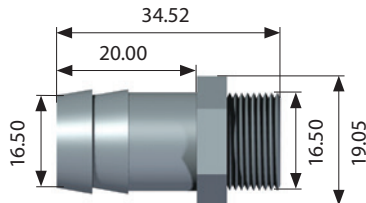
12V BSP00007HVAC12/24V BSP00007HVAC24



Weight



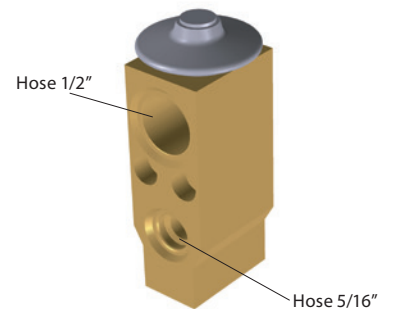
Rubber holding fitting d.10mm



Rubber holding fitting d.16mm



- 1- Green wire (enable signal to compressor)
- 2- Red wire (positive)
- 3- Black wire (ground)



Expansion valve 1.5 TON
(7500 Kcal/h)

To ensure you have a complete kit to enable you chosen system to operate please check the system schematic data sheet which details the full list of components required.

Distributed by P&C Mining Services

E-mail: sales@pcmining.co.za Tel: +27 11 914-2166 / 0861 723 000
Unit 4 Protea Business Park, No 30, All Black Road, Anderbolt
Boksburg, Gauteng, South Africa

www.pcmining.co.za



HVAC